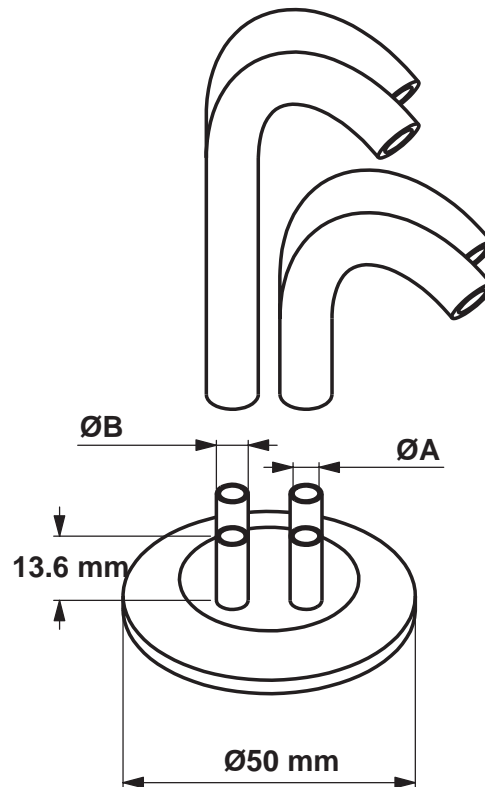


Tube connector for 2 tubes - Part number	A (ID) (mm)	B (OD) (mm)
84-081-106	0.6	1.0
84-081-110	1.0	1.5
84-081-116	1.6	2.1
84-081-132	3.2	3.8
84-081-145	4.5	5.5
84-081-160	6.0	7.0

- Material: AISI316L - laser welded

- Material certificate: Certificate type 2.1 is supplied with the product



Tube connector for 4 tubes - Part number	A (ID) (mm)	B (OD) (mm)
84-082-106	0.6	1.0
84-082-110	1.0	1.5
84-082-116	1.6	2.1
84-082-132	3.2	3.8
84-082-145	4.5	5.5
84-082-160	6.0	7.0

- Material: AISI316L - laser welded

- Material certificate: Certificate type 2.1 is supplied with the product

