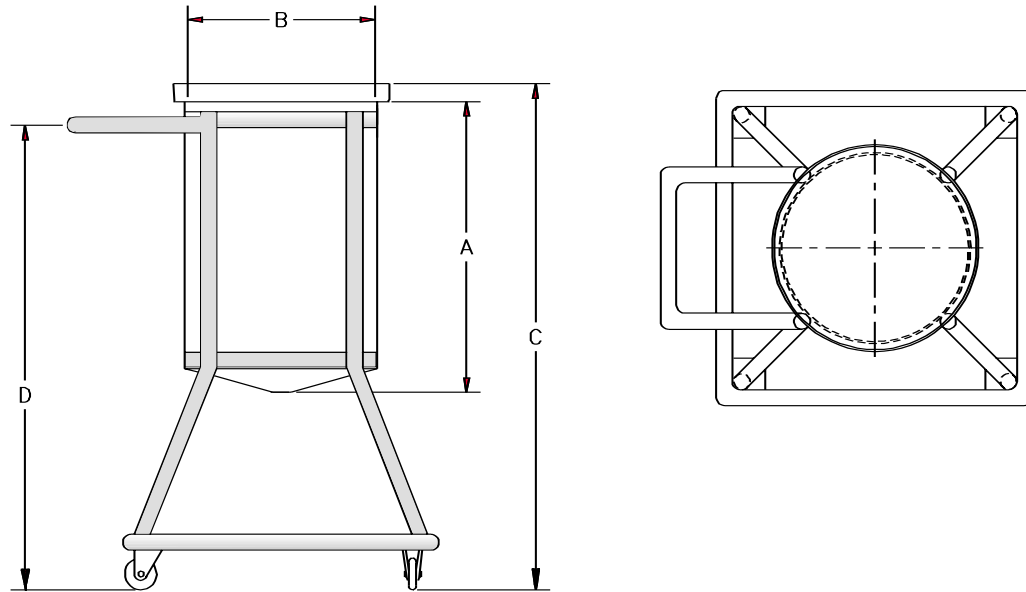


SPECIFICATIONS

TERRAPHARMA | PROCESS VESSELS



Model	A	B	C	D
TPV00030A up to 100 liters	33" (83.8 cm)	18" (45 cm)	53" (134 cm)	42" (106 cm)
TPV00055A up to 200 liters	41" (104 cm)	22" (55 cm)	61" (155 cm)	42" (106 cm)
TPV00150A up to 550 liters	51" (129 cm)	32" (81 cm)	71" (180 cm)	42" (106 cm)
TPV00400A up to 1500 liters	48" (121 cm)	55" (139 cm)	68" (172 cm)	42" (106 cm)

All material of construction meet USP Class VI and non-cytotoxic standards.

- Tank: Molded polypropylene resin
- Cover: Extruded polypropylene resin
- Gasket: Platinum cured silicone
- Clamping hardware: All stainless steel





reliability

Only TerraPharma gives you the combination of workmanship, design flexibility, and ease of use you need to be certain that your critical process vessels will not let you down. From initial layout assistance to on-time delivery to conscientious routine service and repair, the TerraPharma experience is the most satisfying equipment procurement event in your process.

Terracon created the TerraPharma Family of Process Vessels after listening closely to the needs and frustrations expressed by dozens of users in the Biopharmaceutical markets. TerraPharma's design features solve many problems that have plagued users in the past. Cover hardware will never again be lost or dropped. Alignment of the cover will never frustrate a user again. There is no longer any need for frame handles to rob floor space in refrigerated storage spaces. And a single moment of inattention, leading to a dropped tool or bumping a portable tank into a wall, will never again render a vessel useless because a sanitary port was damaged.

TerraPharma covers are held in place by unique clamping hardware that stays on the vessel even when an operator needs to remove the cover. In addition to being captive, this clamping hardware applies its clamping force directly over the gasket, ensuring a good seal and eliminating deformation of the cover.



TERRAPORT is the answer to the fragile sanitary fittings currently used on non-metallic vessels. Traditionally, non-metallic vessels that need to be sanitary are fitted with thin walled, welded sanitary fittings. TerraPort™ is machined from solid FDA/USP class VI compliant polypropylene or FDA compliant high density polyethylene bar stock. Traditional non-metallic sanitary fittings protrude outward from the tank wall several inches leaving them vulnerable to impact. TerraPort™ is a low profile (1") welded port that protrudes outward from the tank wall, no further than the existing top lip of the tank. Non-metallic sanitary fittings have a very fragile thin wall flange area for sealing that, once damaged, could render the entire vessel it is attached to useless. TerraPort™ houses the sealing area within the fitting, protecting it from impact, for worry-free transport and plumbing.

FEATURES OF THE PROCESS VESSEL

- 1 Unique captive clamping hardware
- 2 Removable Space-saving Handle
- 3 TerraPort Low Profile Sample Port
- 4 TOV available with TerraPort
- 5 6" diameter "total lock" swivel casters

